

高清红外球型网络摄像机

KEDACOM

快速安装指南

Quick Start Guide

一 前言

感谢您购买我司产品，如对本公司产品有疑问或需要，请随时和我们联系。

此内容（手册）的目的是确保用户正确使用本产品，以避免危险或财产损失。在使用产品之前，请认真阅读此手册并妥善保存以备日后参考。如果用户因没有按照以下安全说明，致使设备不能正常使用或损坏等情况，我司恕不负责，感谢您的配合。

二 安全说明

1. 电源要求

- 请在安装使用设备过程中，严格遵守当地各项电气安全规定。
- 请使用满足安全电压要求的电源，在设备运行之前检查供电电源是否正确。
- 请在安装配线时装入易于使用的断电设备，以便必要时进行紧急断电。
- 请保护电源软线免受踩踏或紧压，特别是在插头、电源插座和从装置引出的接点处。
- 请在断电状态下连接网络、电源等线缆，严禁在设备上电的情况下连线。

2. 使用环境要求

- 请勿将摄像机对准强光（如灯光照明、太阳光等处）聚焦，否则容易引起过亮或漏光现象（这并非摄像机故障）也将影响摄像机寿命。
- 请在允许的湿度和温度范围内运输、使用和存储设备。
- 请勿将设备置于潮湿、多尘、极热、极冷、强电磁辐射或照明条件不稳定等场所。
- 请勿让任何液体流入设备，以免内部元件受损。
- 请勿阻挡设备附近的通风口，以免热量积蓄。
- 请在运送设备时，重新以出厂时的包装进行包装，或用同等品质的材质包装。
- 请勿在运输、存储及安装过程中重压、剧烈震动、浸泡设备。
- 请勿安装在不牢固的支架、墙面、或屋顶上，否则会导致人机受损。

安装环境	
供电要求	电源：DC 12V±10%/PoE(802.3at)，仅部分型号支持POE供电 功耗：18W Max
环境要求	防雷、防浪涌、防突波
海拔高度	<2Km
工作温度	-20°C~60°C
工作湿度	10%~90% (无凝结)

3. 日常维护与保养

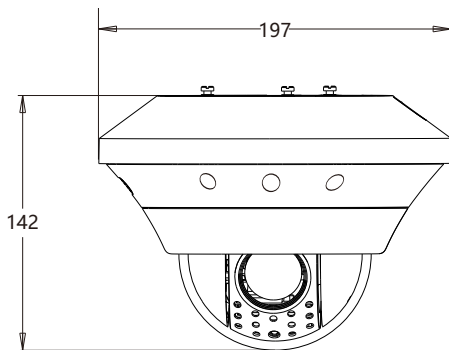
- 请勿直接触碰设备发热部件，以免烫伤。
- 镜头玻璃表面沾染灰尘或油脂时，用棉布或镜头清洁布擦拭。若遇污垢难以清除，蘸上少量镜片清洁剂，自镜头中心向外旋转轻轻擦拭，直到干净为止。禁止使用有机溶剂（苯、酒精等）对镜头玻璃和护罩前脸进行除尘、清洁。
- 请不要以任何方式拆卸或修改产品（对未经认可的操作导致的问题，本公司不承担任何责任）。
- 如果设备工作不正常，请联系经销商或最近的服务中心。

4. 特别声明

- 本手册中的图示仅供参考，产品请以实物为准。
- 我们尽最大努力来保证本手册信息的正确性，如因升级等原因发生信息修改，恕不另行通知。本手册能作为多个型号产品的使用指导，由于篇幅有限，不一一列举每个产品的使用情况，请您根据实际产品自行对照。
- 本产品使用IPCSearch激活后方能使用（IPCSearch可在官网下载，下载链接<https://www.kedacom.com/cn/softtools/index.jhtml>），激活时请填写有效邮箱，方便找回密码。强烈建议您将密码设置为强密码：由数字、大/小写字母或特殊符号中两种或两种以上类型组合而成，且密码长度满足8-16位。请您定期更改用户名的密码，建议每3个月更新一次密码。如果设备在较高安全风险的环境中使用，建议每月或每周更新一次。请妥善保管好您的用户名与密码。
- 如需获取最新文档，请至官网下载，官网地址www.kedacom.com。

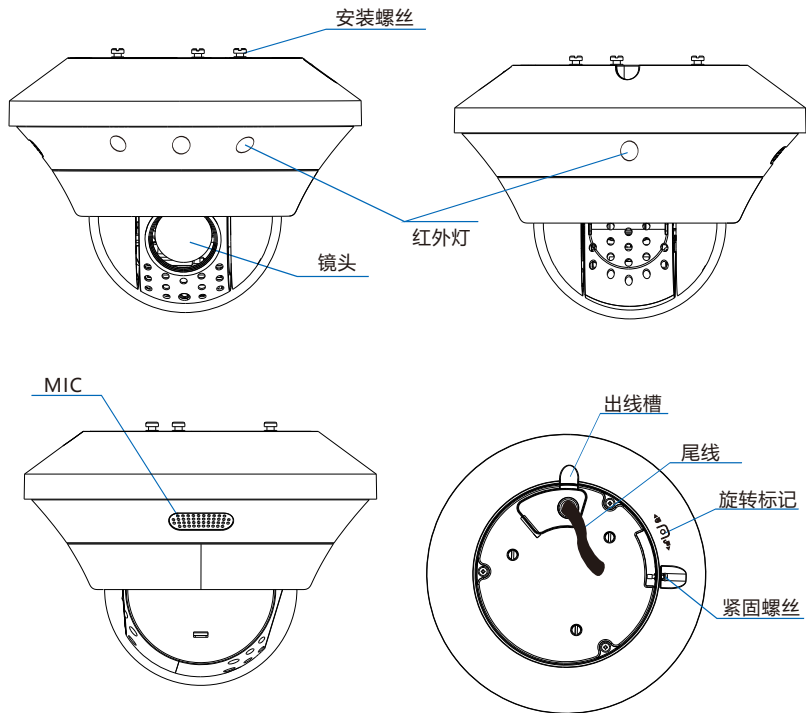
三 设备外观

外观尺寸

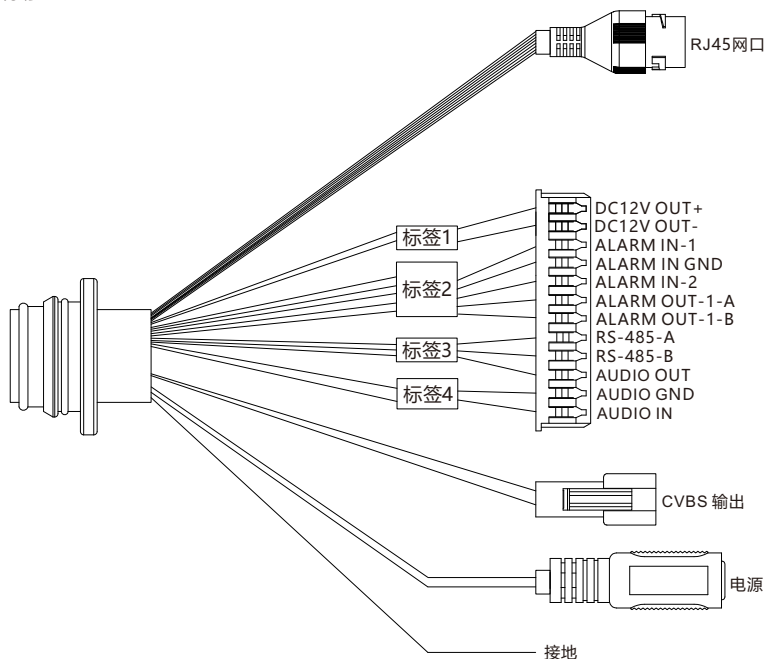


单位：mm
净重：1.8Kg

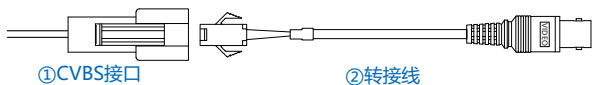
部件说明



尾线说明



【注意】 摄像机出厂时，尾线①和②是连接完好的。无需使用CVBS功能时，可自行将转接线拔掉，以便于操作尾线的藏线处理。IPC442系列球机不支持CVBS。



标签	颜色	功能说明	组别	线序	
RJ45网口	-	RJ45网口，连接网络设备，支持10/100Mbps自适应		-	
DC12V OUT+	橙	电源返送，支持给拾音器等小功率设备供电，额定电流50mA	一组	1	
DC12V OUT-	黄			2	
ALARM IN-1	绿	告警输入1，输入告警信号，连接声控开关等设备	一组	3	
ALARM IN GND	蓝	告警输入接地		4	
ALARM IN-2	紫	告警输入2，输入告警信号，连接声控开关等设备		5	
ALARM OUT-1-A	灰	告警输出，输出告警信号，两个端子不分正负。连接报警灯等设备		6	
ALARM OUT-1-B	棕			7	
RS-485-A	白	RS485接口，与外接设备交互控制，如控制第三方设备		一组	8
RS-485-B	粉红				9
AUDIO OUT	红	音频输出，输出音频信号，连接音箱等设备	一组	10	
AUDIO GND	黑	音频接地		11	
AUDIO IN	浅绿	音频输入，输入音频信号，连接拾音器等设备		12	
CVBS输出	-	视频输出，本地视频输出复合视频信号		-	
电源	-	电源，连接DC12V电源		-	
接地	黄绿	保护接地		-	

四 设备安装

1. 安装注意事项

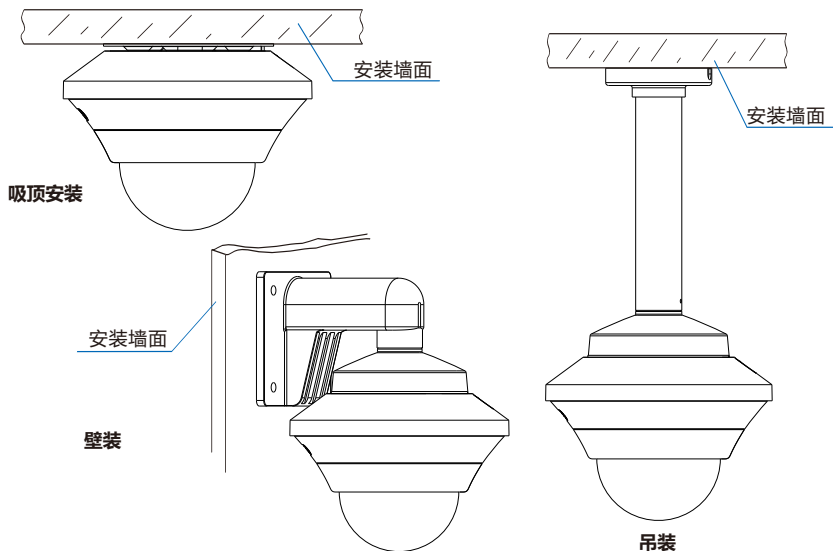
- 确认安装地点有容纳本产品及其安装结构件的足够空间。
- 请确保安装摄像机的墙壁的承受能力必须能支撑摄像机及其安装结构件重量的8倍（设备重量：1.8kg）。
- 安装过程中请勿撕掉球罩塑料保护膜。

【说明】存储卡为内置安装，如有存储卡需求，可进行定制或联系我司售后人员安装。

2. 安装方式

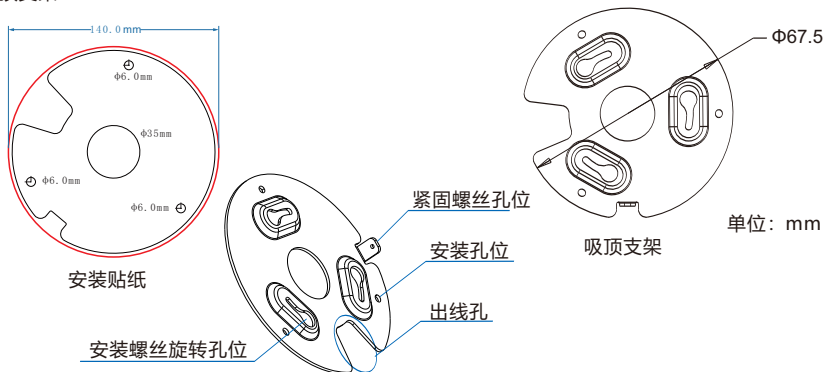
设备分为吸顶安装、壁装、吊装三种安装方式，安装效果如下：

【说明】吸顶支架为标配支架，其他支架为选配配件。



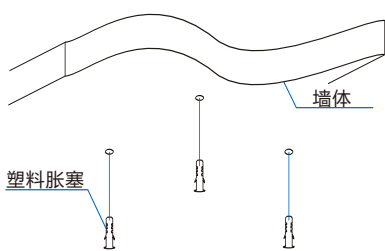
吸顶安装

• 吸顶支架

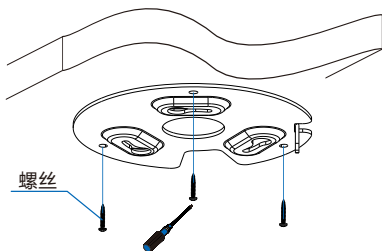


• 安装步骤

- 1) 将安装贴纸固定在墙面上并根据贴纸提示打孔 (孔深约35mm)，将塑料胀塞 (ST4.0*35C) 埋入孔内；
- 2) 将吸顶支架对照孔位贴合到安装墙面上，将螺丝拧入塑料胀塞，并拧紧固定吸顶支架；



① 打孔，将塑料胀塞埋入墙体



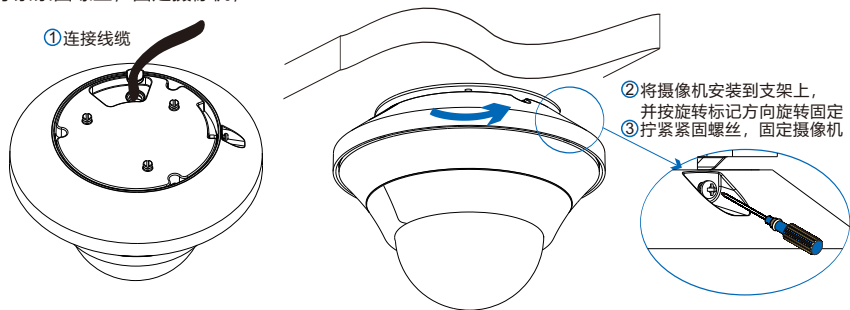
② 将吸顶支架固定到安装墙面，拧紧螺丝

3) 连接线缆，并对尾线进行防水处理；

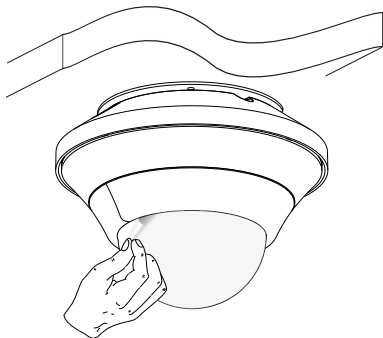
【说明】设备供电请务必参照附录B，选择合适的线径。尾线防水处理请参照附录A。

4) 托举摄像机，使安装螺丝进入吸顶支架的旋转孔位并按照旋转标记方向旋转摄像机使之固定，并确保禁固螺丝对准禁固螺丝孔位；

5) 拧紧紧固螺丝，固定摄像机；



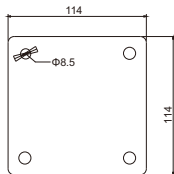
6) 安装完成后，撕掉球罩的塑料保护贴膜，设备上电。



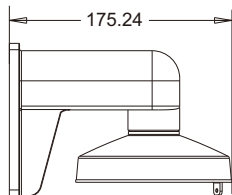
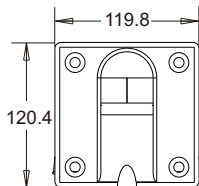
壁装

- 壁装支架

我司选配支架尺寸如下：

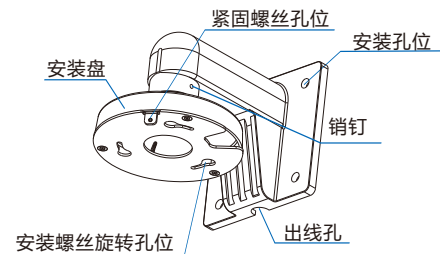


安装贴纸



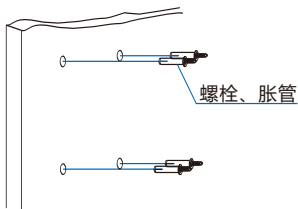
壁装支架

单位：mm

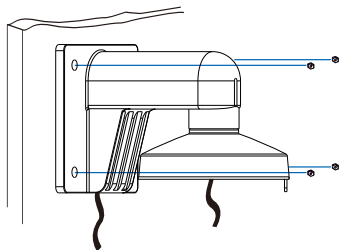


• 安装步骤

- 1) 将安装贴纸固定在墙面上并根据贴纸提示打孔（孔深约60mm），将螺栓与胀管（M6*60）埋入孔内；
- 2) 组装壁装支架，将安装盘固定到支架，并拧紧销钉；
- 3) 将线缆通过出线孔从支架穿出，线缆请预留足够长度，以便连接球机内线缆；
- 4) 将壁装支架对照孔位贴合到安装墙面上，拧紧六角螺母固定支架；



① 打孔，将螺栓、胀管埋入墙体

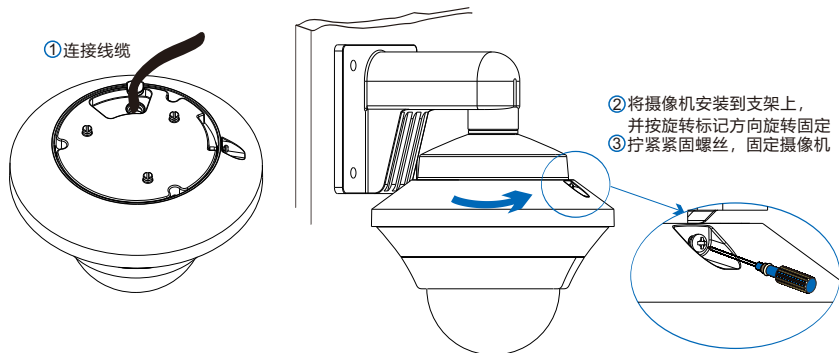


- ② 将线缆通过出线孔从支架穿出
- ③ 拧紧六角螺母，固定支架

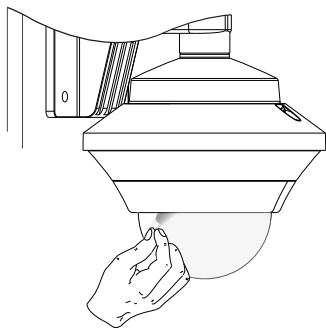
- 5) 连接线缆，并对尾线进行防水处理；

【说明】设备供电请务必参照附录B，选择合适的线径。尾线防水处理请参照附录A。

- 6) 托举摄像机，使安装螺丝进入壁装支架的旋转孔位，按照旋转标记方向旋转摄像机使之固定。并确保禁固螺丝对准禁固螺丝孔位；
- 7) 拧紧紧固螺丝，固定摄像机；



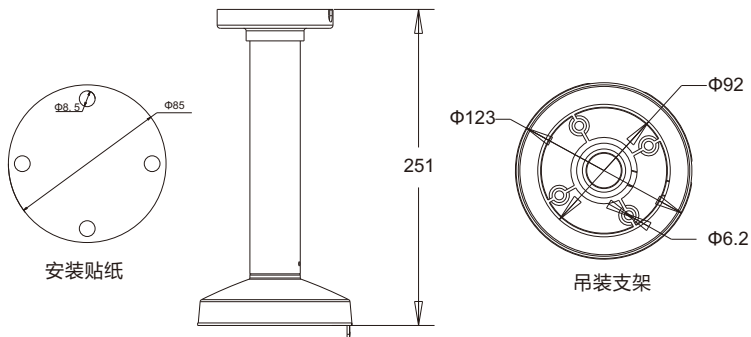
8) 安装完成后，撕掉球罩的塑料保护贴膜，设备上电。



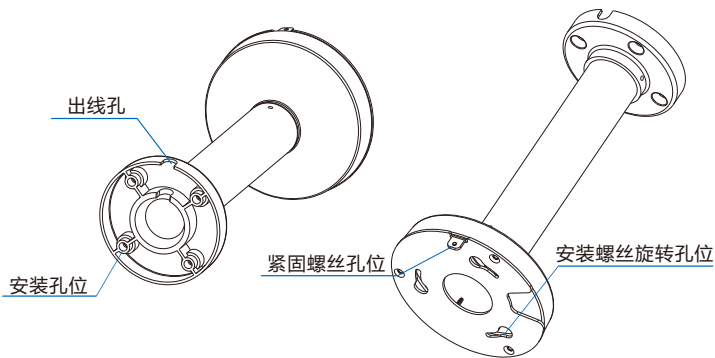
吊装

• 吊装支架

我司选配支架尺寸如下：

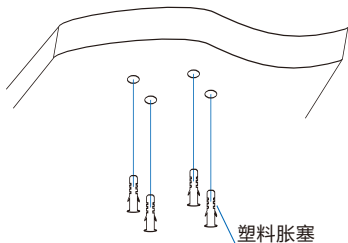


单位：mm

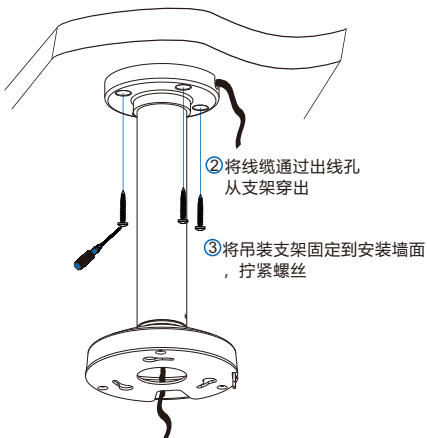


• 安装步骤

- 1) 将安装贴纸固定在墙面上并根据贴纸提示打孔（孔深约45mm），将塑料胀塞（ST6.3*45）埋入孔内；
- 2) 将线缆通过出线孔从支架穿出，线缆请预留足够长度，以便连接球机内线缆；
- 3) 将吊装支架对照孔位贴合到安装墙面上，将螺丝拧入塑料胀塞，并拧紧固定支架；



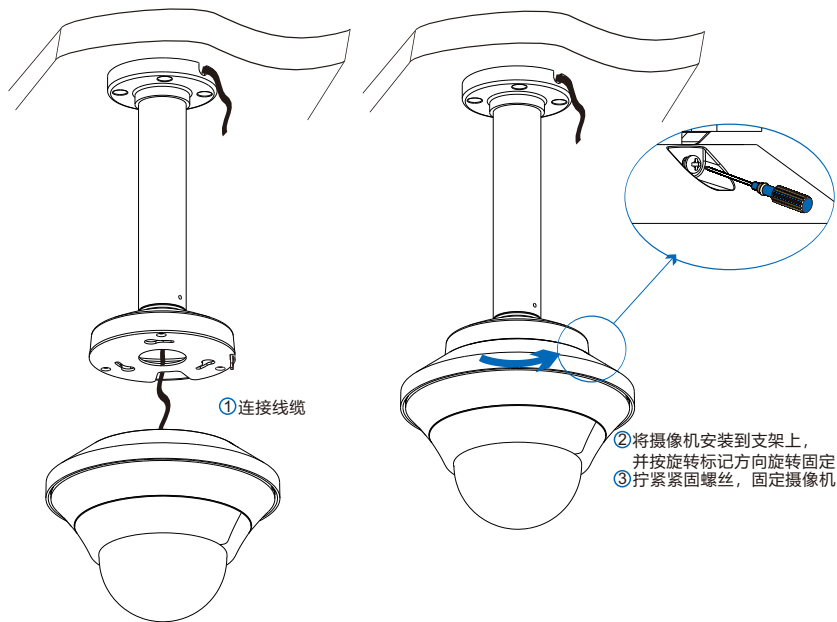
① 打孔，将塑料胀塞埋入墙体



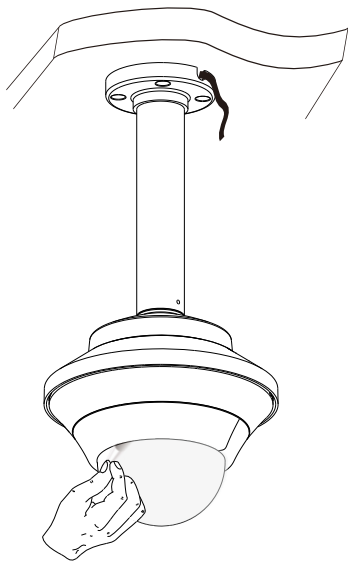
4) 连接线缆并对尾线进行防水处理，托举摄像机，使安装螺丝进入吊装支架的旋转孔位，按照旋转标记方向旋转摄像机使之固定。并确保紧固螺丝对准紧固螺丝孔位；

【说明】 设备供电请务必参照附录B，选择合适的线径。尾线防水处理请参照附录A。

5) 拧紧紧固螺丝，固定摄像机；



6) 安装完成后，撕掉球罩的塑料保护贴膜，设备上电。



五 登录客户端

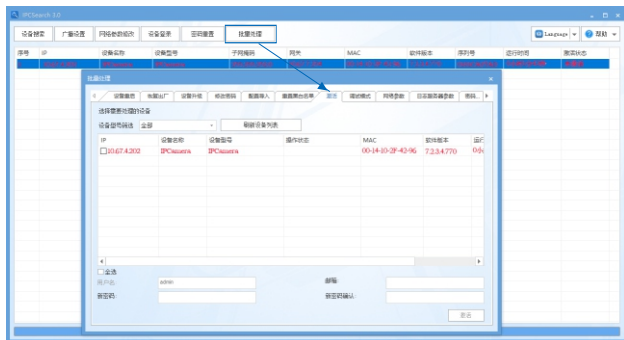
1. 最低配置和系统环境

- 处理器：3.3GHz酷睿®i3系列及以上或相同性能的其他处理器
- RAM内存：4GB及以上
- 操作系统：Windows 7操作系统或更高版本
- 浏览器：推荐使用IE内核浏览器，使用其他内核浏览器会影响客户端部分功能的使用
- DirectX: 9.0c

2. 设备激活

第一次使用时请安装运行IPCSearch，在IPCSearch中将显示设备的IP地址、网关等信息。若IPC设备所接入的网络有DHCP服务，DHCP服务器将自动给IPC设备分配IP地址。

- 批量激活：在IPCSearch中选中设备，点击**批量处理**，在弹出的界面中设置admin用户的密码和找回密码时所需的邮箱，点击**激活**，激活设备。待设备重启。
- 单个激活：在IPCSearch中选择设备，单击右键，选择**设备激活**。填写用户名、密码、找回密码时所需的邮箱。点击**激活**，激活设备。待设备重启。
- Web客户端激活：将PC机IP地址与设备IP地址设为同一网段，进入Web端登录界面。可在该界面设置管理员和找回密码所需的邮箱，点击**激活**，激活设备。





3. 修改设备IP

点击**修改网络参数**，在弹出的界面中配置网络参数。静态分配IP地址时，请选择自定义地址，填写以太网参数。修改参数配置，需要填写管理员用户用户名（admin）及激活设备时设置的密码。完成IP配置后，设备将自动重启。

4. 登录设备

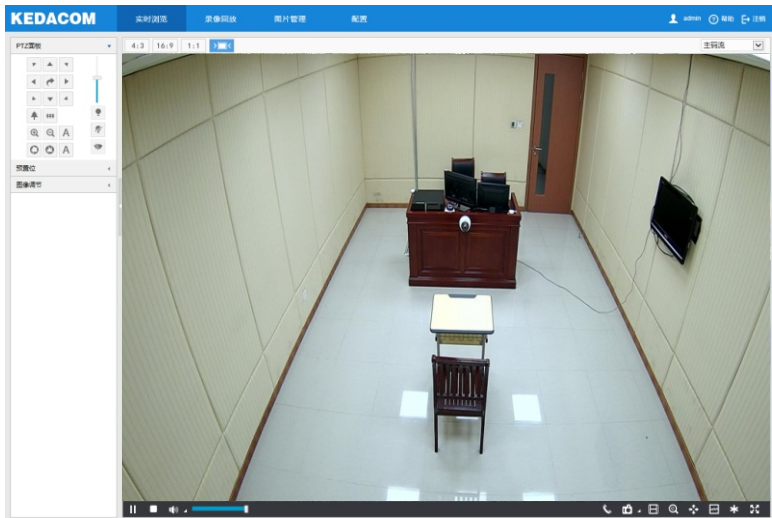
1) 在IPCSearch中双击设备或点击**设备登录**，输入用户名和密码，登录Web客户端；



2) 登录成功后，根据提示下载并安装视频插件；

3) 进入客户端后，便可直接浏览图像。

【说明】不同型号的设备，浏览界面略有差异，请以实际界面为准。更多客户端操作说明请参考客户端帮助文档。



附录A 尾线防水处理

将尾线连接好后，请务必根据以下步骤对尾线做防水处理。

下图仅为示意所用，请以实际连接为准。

- 1) 连接尾线，对所有连接电缆做好绝缘防护，用绝缘胶带整体缠绕；



- 2) 选择缠绕防水胶带起点；



- 3) 用防水胶带对尾线做好防水防护。



附录B DC 12V线径与传输距离关系表

当线径大小一定，DC 12V电压损耗率低于10%时，不同传输功率推荐的最大传输距离。

(对于DC 12V直流供电设备，其最大允许电压损耗率为10%。下面表格中所用线缆均为铜线，铜的电阻率为 $\rho = 0.0175\Omega \cdot \text{mm}^2/\text{m}$)

举例说明：设备功率为20W，要传输50米，根据表格查询，要选择直径2.0mm及以上线径，对照附录C“国内外线规对照表”，2.0mm线径的横截面积是3.14mm²，选择线径时需要考虑冗余，建议使用4平方的线。

距离 m(feet)	线径 mm	0.800 (20AWG)	1.000 (18AWG)	1.250 (16AWG)	2.000 (12AWG)	2.300 (11AWG)	2.800	3.260 (8AWG)
5	功率W	38(125)	61(199)	96(315)	244(801)	309(1013)	456(1495)	781(2563)
10		19(63)	30(99)	48(157)	122(400)	154(507)	228(748)	391(1282)
15		13(42)	20(66)	32(105)	81(267)	103(338)	152(498)	260(854)
20		10(31)	15(50)	24(79)	61(200)	77(253)	114(374)	195(641)
25		8(25)	12(40)	19(63)	49(160)	62(203)	91(299)	156(513)
30		6(21)	10(33)	16(52)	41(133)	51(169)	76(249)	130(427)
35		5(18)	9(28)	14(45)	35(114)	44(145)	65(214)	112(366)
40		5(16)	8(25)	12(39)	31(100)	39(127)	57(187)	98(320)
45		4(14)	7(22)	11(35)	27(89)	34(113)	51(166)	87(285)
50		4(13)	6(20)	10(31)	24(80)	31(101)	46(150)	78(256)
55		3(11)	6(18)	9(29)	22(73)	28(92)	41(136)	71(233)
60		3(10)	5(17)	8(26)	20(67)	26(84)	38(125)	65(214)
65		注1	5(15)	7(24)	19(62)	24(78)	35(115)	60(197)
70		注1	4(14)	7(22)	17(57)	22(72)	33(107)	56(183)
75		注1	4(13)	6(21)	16(53)	21(68)	30(100)	52(171)
80		注1	4(12)	6(20)	15(50)	19(63)	28(93)	49(160)
85		注1	4(12)	6(19)	14(47)	18(60)	27(88)	46(151)
90		注1	3(11)	5(17)	14(44)	17(56)	25(83)	43(142)
95		注1	3(10)	5(17)	13(42)	16(53)	24(79)	41(135)
100		注1	3(10)	5(16)	12(40)	15(51)	23(75)	39(128)

- 【备注】** 1) 传输功率超过60W，需用1.0 (18AWG) 或以上线径；传输功率超过100W，需要用1.25 (16AWG) 或以上线径；传输功率超过150W，需要用2.0 (12AWG) 或以上线径；
- 2) 传输功率在100~200W之间，可按照“功率翻N倍距离缩短1/N”、“线缆横截面积翻N倍，传输距离翻N倍”原则进行类比；
- 3) 线径要求适用于单根、实心、圆形的铜线，多股绞线电缆的AWG值由所有线的总横截面积决定。

附录C 国内外线规对照表

公制裸线线径 (mm)	近似美制线规AWG	近似英制线规SWG	裸线横截面积mm ²
0.560	24	24	0.24630
0.600	23	23	0.28270
0.710	22	22	0.39580
0.750	21	NA	0.44170
0.800	20	21	0.50270
0.900	19	20	0.63620
1.000	18	19	0.78540
1.250	16	18	1.22660
1.450	15	17	1.64600
1.630	14	16	2.08567
1.800	13	15	2.54340
2.000	12	14	3.14200
2.300	11	13	4.17000
2.590	10	12	5.26000
2.800	NA	NA	6.15440
3.000	NA	NA	7.06830
3.260	8	10	8.37000
3.670	7	9	10.55000

保修说明

本保修卡适用于您购买的本公司系列产品。

1.免费保修期一年（仅限中国大陆地区，中国大陆以外地区请参考英文说明）。

2.凡保修期内，由于本产品自身引起的故障，请与公司售后服务部联系。

3.保修时我们将使用您的保修卡信息，请认真填写。

4.以下情况，属于有偿保修范围：

- 人为原因造成的设备故障
- 因使用环境不符合本产品要求造成的故障
- 因不可抗力造成的产品损坏
- 无保修卡
- 已过免费保修期

用户信息

用户名称：

详细地址：

传真：

电话：

邮箱：

邮编：

产品名称：

产品型号：

购买日期：

I. Preface

Thank you for purchasing our product. If there is any question, please do not hesitate to contact us.

These instructions are intended to ensure that the user can use the product correctly to avoid danger or property loss. Please read this Guide carefully before using the product, and keep it properly for future reference. If the product cannot work normally or is damaged because the user does not follow the safety instructions, we shall not assume any responsibility. Thanks for your cooperation.

II. Safety Instruction

1. Power Supply

- During installing and using the device, please follow local electrical safety regulations strictly.
- Please use power supply in the safe voltage range of our product. Make sure if the power supply is correct before running the device.
- Please install an easy-to-use breaker during installation and wiring in case it is necessary to make an emergency break.
- Please prevent the power cord from being trampled or pressed especially the plug, socket and the connecting part led out from the device.
- Please connect network cables or power cord with the power off. Hot-line wiring is not allowed.

2. Working Environment

- Do not focus the camera lens on strong light such as the sun or incandescent lamp; otherwise the strong light will cause overexposure or light leak (not camera malfunction), which may shorten camera lifetime.
- Please transport, use and store the device within defined humidity and temperature ranges.
- Do not expose it in damp, dusty, extremely hot or cold places or places with intense electromagnetic radiation or with unstable lighting.
- Keep the camera away from water or any liquid to avoid damage to internal components.
- To avoid heat accumulation, please do not block the ventilation around the device.
- While shipping the camera, pack it in the factory packing or use materials with equivalent quality.
- When shipping, storing and installing the device, try to prevent it from damages caused by pressure, violent vibration and soaking.
- Do not install the device on unstable bracket, wall or roof, otherwise damage or injury may be caused to the device or the people.

Working Environment	
Power Supply	Power: DC 12V±10%/PoE(802.3at), only some models support PoE. Power consumption: 18 W Max
Environment	Lightning protection, surge protection, and anti-interference
Altitude	< 2 km
Temperature	-20°C ~ +60°C
Humidity	10%~90% (non-condensing)

3. Daily Maintenance

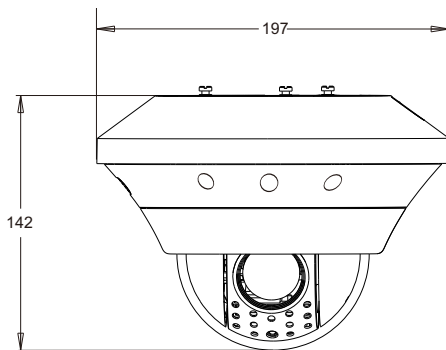
- Do not touch the heat component of the device directly to avoid empyrosis.
- When the lens is contaminated by dust or grease, use cotton cloth or lens clean cloth to wipe it off. When it is hard to clean, dip some lens cleanser and wipe gently and rotate outward from the middle until it is clean. Never apply any organic solvent with ethanol or benzene to clean the lens and housing.
- Do not disassemble or repair the device in any way by yourself. We shall not assume any responsibility for problems caused by unauthorized repair or maintenance.
- If the product does not work properly, please contact your dealer or the nearest service center.

4. Special Statement

- The product appearance is subject to the actual device and picture in this Guide is for reference only.
- Every effort has been made to ensure the accuracy and validity of this Guide. Any update of this Guide caused by version upgrade is subject to change without notice.
- This Guide is made for multiple models but it will not illustrate one by one. Please refer to it according to the actual products you are using.
- This device can be used after being activated through IPCSearch in the attached CD. During activation please fill a valid email address for finding back the password.
- To ensure the safety of device on internet, it is strongly recommended that you set a strong password which is composed of at least 2 kinds of the following, digits, case-sensitive letters or specific symbols, and whose length ranges from 8 to 16 bits. Please modify the password periodically and once every 3 months is recommended. If the device is used in highly risky environment, suggest modifying the password monthly or weekly. Please keep your user name and password safe.
- Accessing this device to the internet is at user's own risk, including but not limited to the possible network attack, hacker attack, virus infection and etc. This company will not assume any responsibility for problems of product abnormality and information disclosure caused thereof. We shall provide technical support relating to the products in time.
- For the latest manuals, please download at: <https://www.kedacom.com/en/installation/index.jhtml>.

III. Appearance

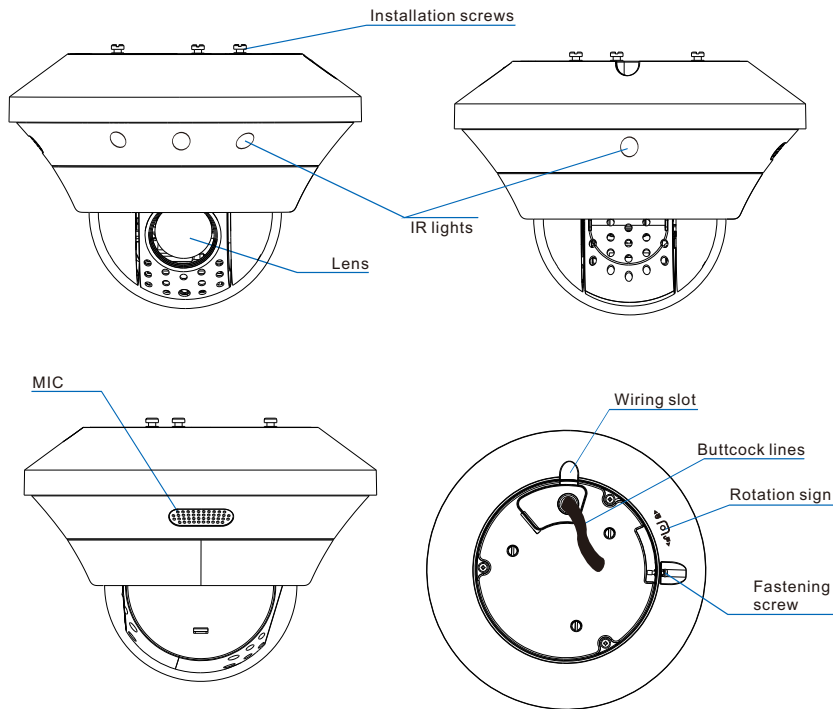
Dimensions



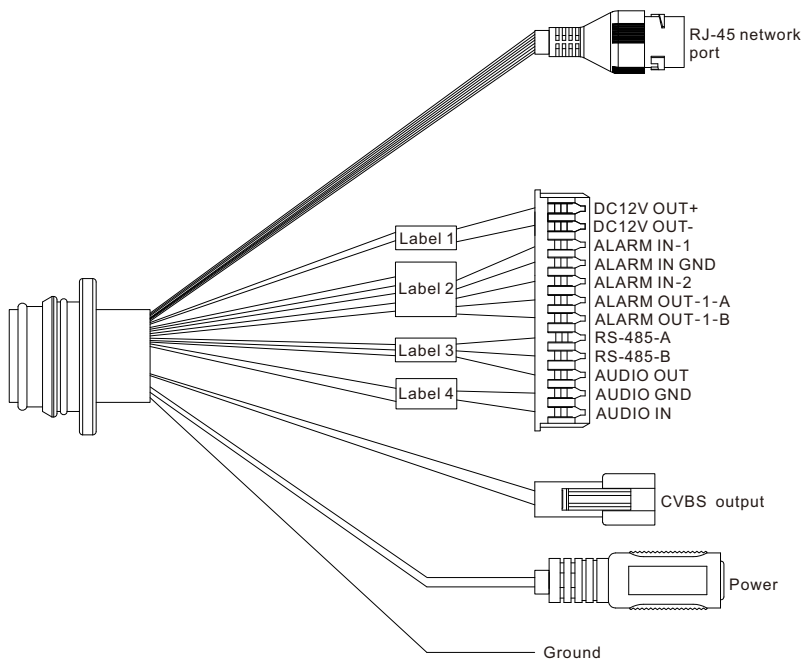
Unit: mm

Weight: 1.8 kg

Components



Buttcock Lines



[Note]: The device goes out with the adapter connected to the CVBS port. If it's unnecessary to use the CVBS port, disconnect them by yourself so as to facilitate hiding the buttcock lines. Dome cameras of IPC442 series do not support CVBS.



Tag	Color	Function Description	Group	No.
RJ-45 network port	-	RJ-45 network port, connect to network device, support 10/100 Mbps adaptive		-
DC12V OUT+	Orange	Power output ports, support supplying power to low-power devices such as a pick-up, rated current 50 mA	One Group	1
DC12V OUT-	Yellow			2
ALARM IN-1	Green	Alarm input 1, input alarm signal, connect to voice-operated device	One Group	3
ALARM IN GND	Blue	Alarm input grounding		4
ALARM IN-2	Purple	Alarm input 2, input alarm signal, connect to voice-operated device		5
ALARM OUT-1-A	Grey	Alarm output ports, output alarm signal, the two terminals are regardless of positive and negative poles; connect to alarm light		6
ALARM OUT-1-B	Brown			7
RS-485-A	White	RS-485 serial ports, intercommunicate with peripheral devices such as controlling third-party devices	One Group	8
RS-485-B	Pink			9
AUDIO OUT	Red	Audio output, output audio signal, connect to loudspeaker box	One Group	10
AUDIO GND	Black	Audio grounding		11
AUDIO IN	Light Green	Audio input, input audio signal, connect to pick-up		12
CVBS output	-	Video output, locally output composite video signal		-
Power	-	Power port, connect to DC 12 V power supply		-
Ground	Yellow Green	Grounding		-

IV. Installation

1. Installation Instructions

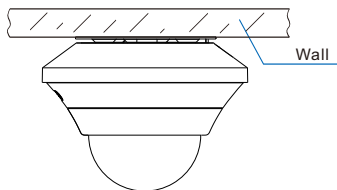
- Make sure there is sufficient space for installing the camera and its accessories.
- Please make sure the mounting wall can bear weight as heavy as 8 times of the camera and its accessories (device weight: 1.8 kg).
- During installation, please do not peel off the transparent protective film on the dome.

[Note] The storage card is built in. If necessary, please customize a storage card or contact our post-sales technicians to install.

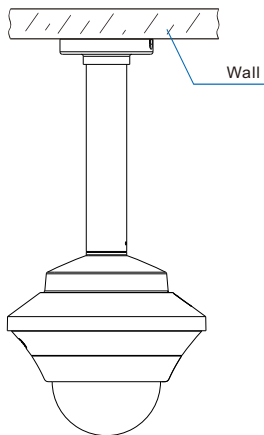
2. Installation Methods

The device supports ceiling mount, wall mount and pendent mount, as shown below:

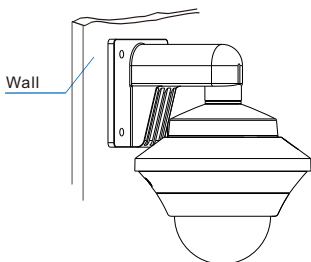
[Note]: The ceiling-mount bracket is attached as standard while other brackets are optional.



Ceiling Mount



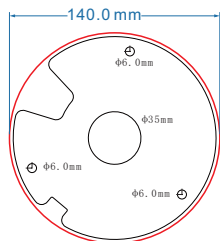
Pendent Mount



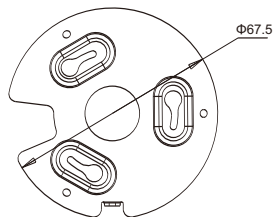
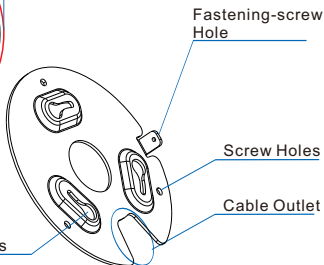
Wall Mount

Ceiling Mount

- Ceiling Bracket



Installation Sticker

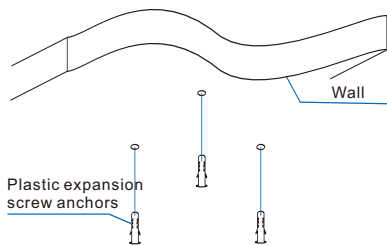


Ceiling Mount Bracket

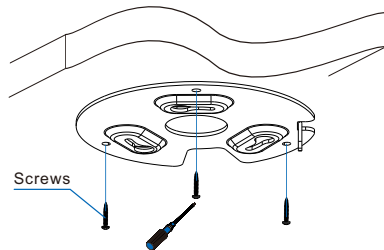
Unit: mm

- Installation steps

- 1) Paste the installation sticker onto the wall and drill holes (35 mm deep) as the sticker indicates and insert plastic expansion screw anchors (ST4.0*35C) into the holes.
- 2) Align the ceiling mount bracket to the holes closely, insert and tighten the screws into the plastic expansion screw anchors to fix the bracket.



- ① Drill holes and insert the plastic expansion screw anchors into the wall.



- ② Fix the ceiling mount bracket into the wall and tighten the screws.

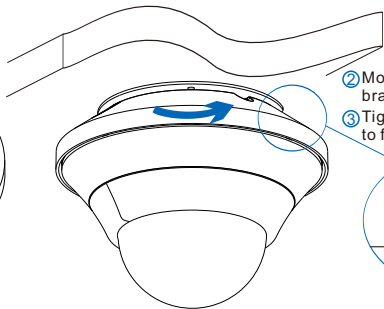
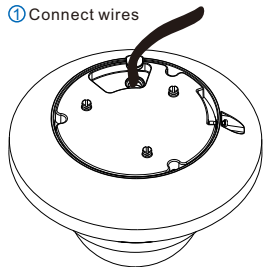
3) Connect wires and make waterproof treatment to the buttcock lines.

[Note] Please refer to Appendix B to select proper wire diameter for power supply. Please refer to Appendix A for waterproof treatment.

4) Lift the camera up to insert the screws into the screw-rotation holes on the bracket, and rotate the camera as indicated to fix it into the bracket.

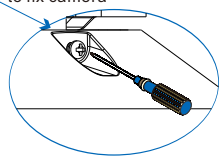
5) Tighten the fastening screw to secure the camera.

① Connect wires

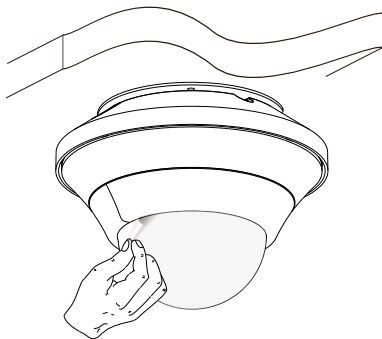


② Mount the camera onto the bracket and rotate as indicated

③ Tighten the fastening screw to fix camera



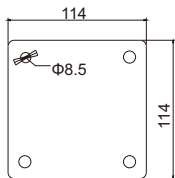
6) After finishing installation, peel off the plastic protective film on the dome and power on the camera.



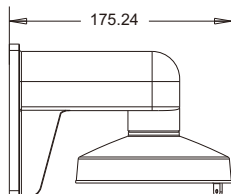
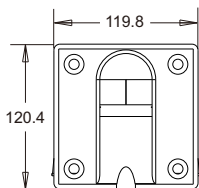
Wall Mount

- Wall Bracket

Dimensions of the optional bracket of this company are as follows:

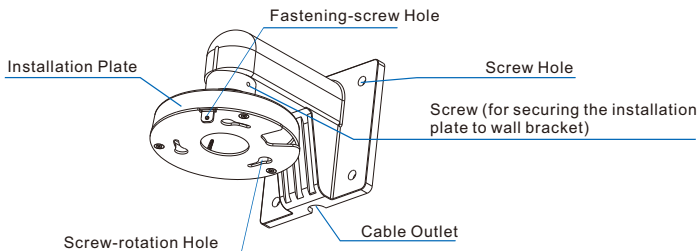


Installation Sticker



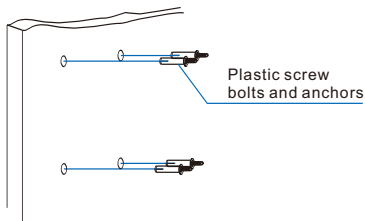
Wall Mount Bracket

Unit: mm

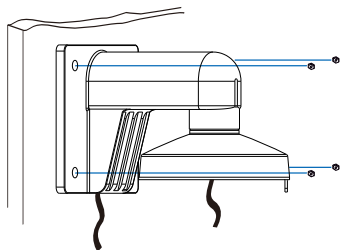


- Installation steps

- 1) Paste the installation sticker onto the wall and drill holes (60 mm deep) as the sticker indicates and insert screw bolts and anchors (M6*60) into the holes.
- 2) Assemble the wall bracket and fix the installation plate on it and tighten the screw for securing the installation plate to the wall bracket.
- 3) Thread the wires out from the bracket through the cable outlet and reserve a certain length of wire long enough for wire connection inside the camera.
- 4) Align the wall bracket to the holes on the wall closely and tighten the hex nuts to fix the bracket.



- ① Drill holes and insert the plastic screw bolts and anchors into the holes.



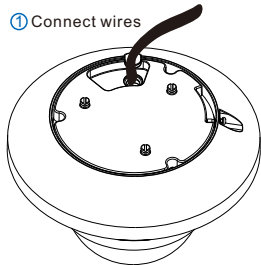
- ② Thread the wires out from the bracket through the cable outlet
- ③ Secure the bracket to the wall with hex nuts.

- 5) Connect wires and make waterproof treatment to the buttcock lines.

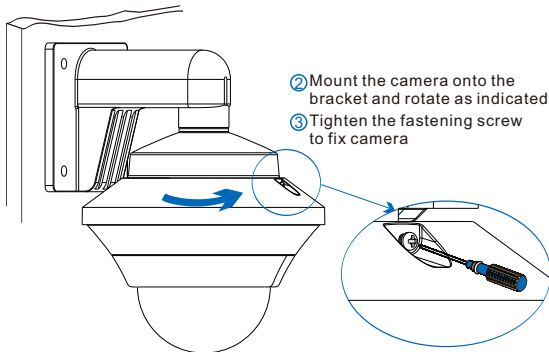
[Note] Please refer to Appendix B to select proper wire diameter for power supply. Please refer to Appendix A for waterproof treatment.

- 6) Lift the camera up to insert the screws into the screw-rotation holes on the bracket, and rotate the camera as indicated to fix it into the bracket. Make sure the fastening screw is aligned to the fastening-screw hole.
- 7) Tighten the fastening screw to secure the camera.

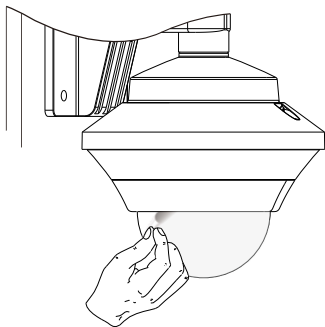
① Connect wires



② Mount the camera onto the bracket and rotate as indicated
③ Tighten the fastening screw to fix camera



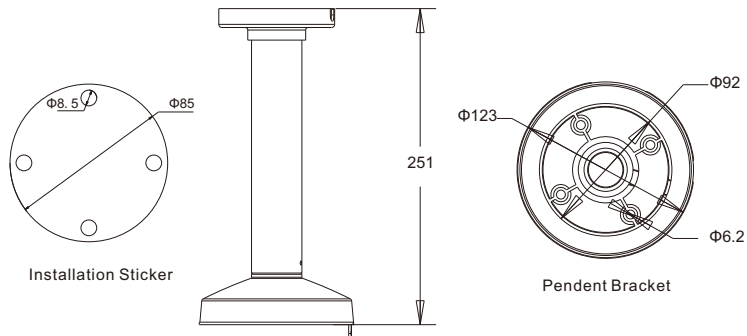
8) After finishing installation, peel off the plastic protective film on the dome and power on the camera.



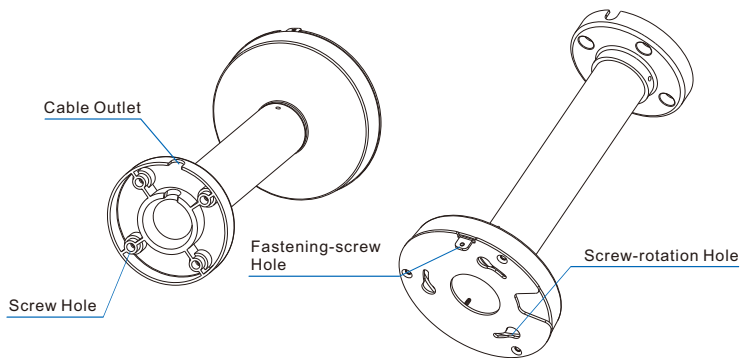
Pendent Mount

- Pendent Bracket

Dimensions of the optional bracket of this company are as follows:

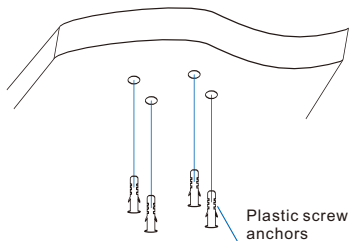


Unit: mm

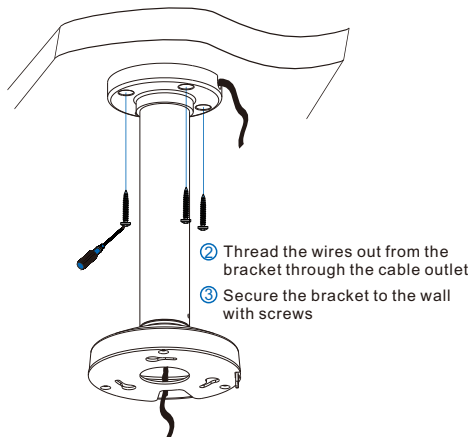


- Installation steps

- 1) Paste the installation sticker onto the wall and drill holes (45 mm deep) as the sticker indicates and insert plastic screw anchors (ST6.3*45) into the holes.
- 2) Thread the wires out from the bracket through the cable outlet and reserve a certain length of wire long enough for wire connection inside the camera.
- 3) Align the pendent bracket to the holes on the wall closely and insert the screws into the plastic screw anchors to fix the bracket.



- ① Drill holes and insert the plastic screw bolts and anchors into the holes.

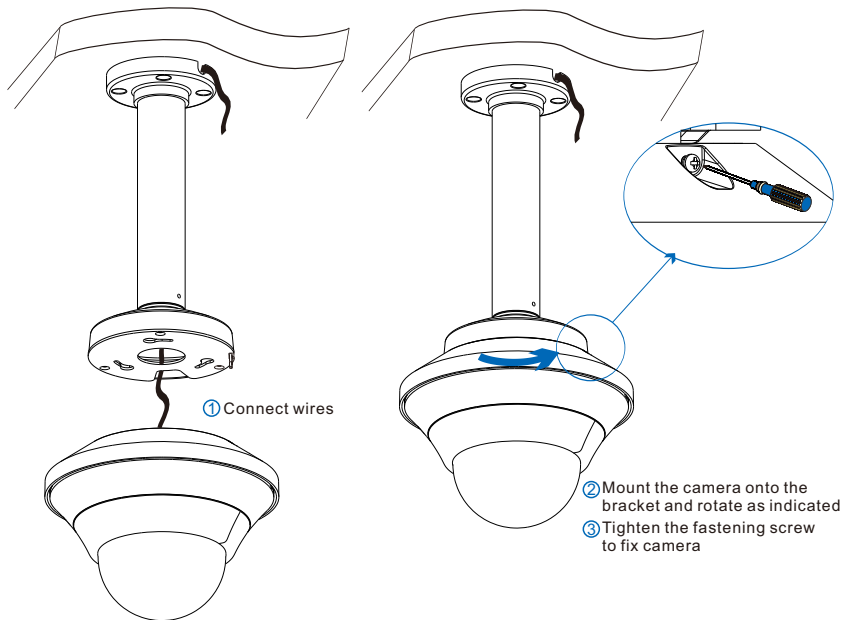


- ② Thread the wires out from the bracket through the cable outlet
- ③ Secure the bracket to the wall with screws

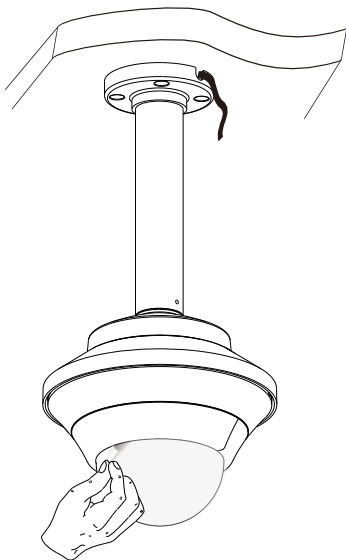
4) Connect wires and make waterproof treatment to the buttcock lines.

[Note] Please refer to Appendix B to select proper wire diameter for power supply. Please refer to Appendix A for waterproof treatment.

- 5) Lift the camera up to insert the screws into the screw-rotation holes on the bracket, and rotate the camera as indicated to fix it into the bracket. Make sure the fastening screw is aligned to the fastening-screw hole.
- 6) Tighten the fastening screw to secure the camera.



7) After finishing installation, peel off the plastic protective film on the dome and power on the camera.



V. Log into the Web Client

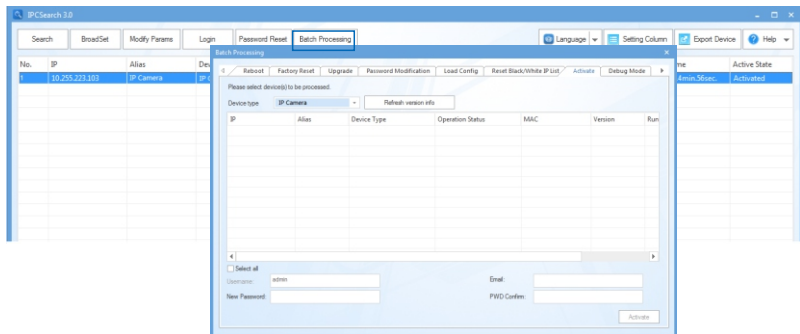
1. Minimum Requirements

- Processor: 3.3 GHz Core ® i3 Series or other processors with the same or better performance
- RAM Memory: 4 GB or larger
- Operating System: Windows 7 or higher versions
- Browser: Recommend IE kernel browsers (other kernel browsers may affect some functions)
- DirectX: 9.0c

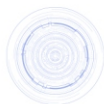
2. Activation

When using the camera for the first time, run the IPCSearch in the attached CD. The IPCSearch will search cameras in a LAN automatically and display the list of the camera IP address, gateway and etc. If the network provides DHCP services, the DHCP server will assign IP for the camera automatically.

- Batch activation: Select the camera in the IPCSearch and click "**Batch processing**". In the pop-up window, enter the admin user's password and the email address for retrieving the password. Click "**Activate**" and wait for camera rebooting.
- One-by-one activation: Select the camera in the IPCSearch and click "**Activate**". In the pop-up window, enter a username, password, and email address for retrieving the password. Click "**Activate**" and wait for camera rebooting.
- Activation on the IPC Web: Change your computer's IP address to enable it to be on the same network segment as the camera. Open an IE kernel browser and enter a valid IP address of the camera. In the displayed dialog box, enter the admin user's password and email address which is used to retrieve the password in future. Click **Activate**.



Login



admin

admin

Weak Strong

Please choose a password with 8-16 characters. Your password must also contain two or more combinations of upper and lowercase letters, numbers, and symbols.

admin

When admin's password gets lost, find it back through this email. Make sure this email address is safe and valid.

Active

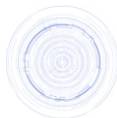
3. Modify Device IP Address

Click "**Modify Params**" and set the network parameters. When configuring a static IP for the camera, please check "Custom device address (Close DHCP)" and fill the Ethernet parameter. During the modification, the user name (admin) and the password set before activation should be entered. After configuration, the camera will reboot automatically.

4. Login to the Device

1) Double click the device in IPCSearch or click "**Login**". Enter user name and password to login the web client.

Login



admin

admin

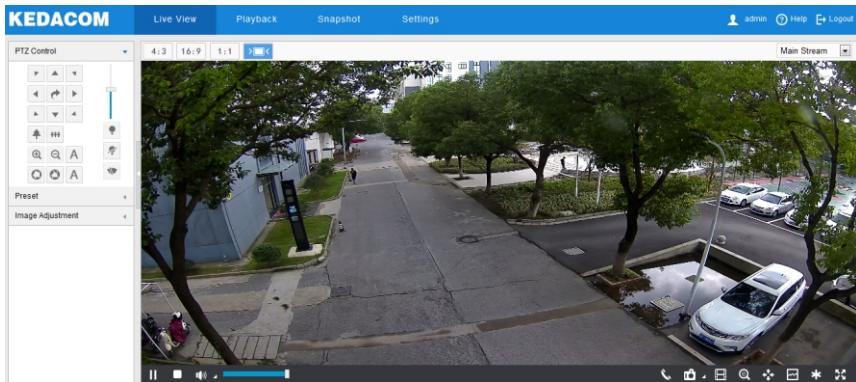
Login

2) After login, download and install the video plug-in (IE Kernal browser).

3) Re-login to the web client and view live video directly.

[Note] Interface of different models may differ. Please subject to the actual products. Please refer to the *Help* file for detailed explanation.

Adjust camera direction, configure camera parameters in web client until the live view meets requirement.



Appendix A: Waterproof Treatment to Buttcock Lines

After the buttcock lines are connected, make waterproof treatment to them according to the following steps. The following pictures are for your reference only. Please subject to actual products.

- 1) Connect the buttcock lines and make insulation protection over all wires by binding them with insulating tape.



- 2) Select a start point for waterproof tape.



- 3) Make waterproof treatment to the buttcock lines with waterproof tape.



Appendix B: DC12V Wire Diameter VS. Transmission Distance

The recommended max transmission distance when the wire diameter is certain and the DC12V voltage loss rate is less than 10% (For DC12V powered devices, the maximum allowed voltage loss rate is 10%. All the wires in the following table are cooper wires, whose electrical resistivity is $\rho = 0.0175\Omega \cdot \text{mm}^2/\text{m}$)

For example: The power consumption of the device is 20 W and the transmission distance is 50 m. According to the following table, you should choose wires with diameter of 2.0 mm or above, and by referring to **Appendix C: Wire Gauges at Home and Abroad**, the CSA of 2.0 mm wire is 3.14 mm². Take redundancy into consideration, suggest using wires of 4 mm².

Distance m (feet)	Diameter (mm)						
	0.800 (20AWG)	1.000 (18AWG)	1.250 (16AWG)	2.000 (12AWG)	2.300 (11AWG)	2.800	3.260 (8AWG)
Power (W)							
5	38(125)	61(199)	96(315)	244(801)	309(1013)	456(1495)	781(2563)
10	19(63)	30(99)	48(157)	122(400)	154(507)	228(748)	391(1282)
15	13(42)	20(66)	32(105)	81(267)	103(338)	152(498)	260(854)
20	10(31)	15(50)	24(79)	61(200)	77(253)	114(374)	195(641)
25	8(25)	12(40)	19(63)	49(160)	62(203)	91(299)	156(513)
30	6(21)	10(33)	16(52)	41(133)	51(169)	76(249)	130(427)
35	5(18)	9(28)	14(45)	35(114)	44(145)	65(214)	112(366)
40	5(16)	8(25)	12(39)	31(100)	39(127)	57(187)	98(320)
45	4(14)	7(22)	11(35)	27(89)	34(113)	51(166)	87(285)
50	4(13)	6(20)	10(31)	24(80)	31(101)	46(150)	78(256)
55	3(11)	6(18)	9(29)	22(73)	28(92)	41(136)	71(233)
60	3(10)	5(17)	8(26)	20(67)	26(84)	38(125)	65(214)
65	Note 1	5(15)	7(24)	19(62)	24(78)	35(115)	60(197)
70	Note 1	4(14)	7(22)	17(57)	22(72)	33(107)	56(183)
75	Note 1	4(13)	6(21)	16(53)	21(68)	30(100)	52(171)
80	Note 1	4(12)	6(20)	15(50)	19(63)	28(93)	49(160)
85	Note 1	4(12)	6(19)	14(47)	18(60)	27(88)	46(151)
90	Note 1	3(11)	5(17)	14(44)	17(56)	25(83)	43(142)
95	Note 1	3(10)	5(17)	13(42)	16(53)	24(79)	41(135)
100	Note 1	3(10)	5(16)	12(40)	15(51)	23(75)	39(128)

- [Note] 1) When the transmission power is over 60 W, apply wires with diameter of 1.0 (18 AWG) or above; over 100 W, apply wires with diameter of 1.25 (16 AWG) or above; over 150 W, apply wires with diameter of 2.0 (12 AWG) or above.
- 2) When the transmission power is between 100 W and 200 W, follow the principles of "Power increases by N times and distance reduces by 1/N times" and "Wire CSA increases by N times and transmission distance increases by N times".
- 3) The requirements of wire diameter apply to single, solid and round cooper wire. The AWG value of multi-stranded wires depends on the total CSA (Cross Sectional Area) of all wires.

Appendix C: Wire Gauges at Home and Abroad

Metric Bare Wire Diameter (mm)	Approximate US Wire Gauge AWG	Approximate UK Wire Gauge SWG	Bare Wire CSA (mm ²)
0.560	24	24	0.24630
0.600	23	23	0.28270
0.710	22	22	0.39580
0.750	21	NA	0.44170
0.800	20	21	0.50270
0.900	19	20	0.63620
1.000	18	19	0.78540
1.250	16	18	1.22660
1.450	15	17	1.64600
1.630	14	16	2.08567
1.800	13	15	2.54340
2.000	12	14	3.14200
2.300	11	13	4.17000
2.590	10	12	5.26000
2.800	NA	NA	6.15440
3.000	NA	NA	7.06830
3.260	8	10	8.37000
3.670	7	9	10.55000

Kedacom Two (2) Year Limited Hardware Warranty

WHAT IS COVERED BY THIS WARRANTY?

Kedacom warrants the Kedacom-branded hardware product and accessories contained in the original packaging (hereinafter referred to as "Kedacom Product") against defects in materials and workmanship when used normally in accordance with Kedacom's published guidelines for a period of TWO (2) YEARS from the date of original retail purchase in areas other than mainland China by the end-user purchaser (hereinafter referred to as "Warranty Period"). For the Kedacom Product purchased in mainland China, see the simplified Chinese version of this warranty for details. Kedacom's published guidelines include but are not limited to information contained in technical specifications, user guides, and service communications. The preceding applies unless otherwise agreed in the contract.

WHAT IS NOT COVERED BY THIS WARRANTY?

This warranty does not apply to any non-Kedacom branded hardware products or any software, even if packaged or sold with Kedacom hardware. Manufacturers, suppliers, or publishers, other than Kedacom, may provide their own warranties to you but Kedacom, in so far as permitted by law, provides their products "AS IS". Software distributed by Kedacom with or without the Kedacom brand (including, but not limited to system software) is not covered by this warranty. Please refer to the licensing agreement accompanying the software for details of your rights with respect to its use. Kedacom does not warrant that the operation of the Kedacom Product will be uninterrupted or error-free. Kedacom is not responsible for damage arising from failures to follow instructions relating to the Kedacom Product's use.

This warranty does not apply: (a) to consumable parts, such as batteries, unless failure has occurred due to a defect in materials or workmanship; (b) to cosmetic damage, including but not limited to scratches, dents, and broken plastic on ports; (c) to damage caused by use with another product; (d) to damage caused by acts outside the control of Kedacom, including without limitation acts of God, accidents, abuse, misuse, fire, storms, earthquakes, flood, or other external cause; (e) to damage caused by exposure of the product to heat, bright light, sun, liquids, sand, or other contaminants; (f) to damage caused by operating the Kedacom Product outside Kedacom's published guidelines; (g) to damage caused by service (including upgrades and expansions) performed by anyone other than a representative of Kedacom, Kedacom employee, or authorized Kedacom agent; (h) to an Kedacom Product that has been modified to alter functionality or capability without the written permission of Kedacom; (i) to defects caused by normal wear and tear or otherwise due to the normal aging of the Kedacom Product, or (j) if any serial number has been removed or defaced from the Kedacom Product.

YOUR RESPONSIBILITIES

If your Kedacom product is capable of storing data and other information, you should make periodic backup copies of the information contained on the storage media to protect the contents and as a precaution against possible operational failures.

Before receiving warranty service, Kedacom or its authorized agents may require that you furnish proof of purchase details, respond to questions designed to assist with diagnosing potential issues, and follow Kedacom's procedures for obtaining warranty service. Before submitting your Kedacom Product for warranty service, you should maintain a separate backup copy of the contents of its storage media, remove all personal information that you want to protect, and disable all security passwords.

During warranty service, it is possible that the contents of the Kedacom product's storage media will be lost, replaced or reformatted. In such an event, Kedacom and its authorized agents are not responsible for any loss of data or other information contained on the storage media or any other part of the Kedacom product serviced.

Following warranty service, your Kedacom Product or a replacement product will be returned to you as your Kedacom Product was configured when originally purchased, subject to applicable updates. You will be responsible for reinstalling all other data and information. Recovery and installation of other data and information are not covered under this warranty.

WHAT WILL KEDACOM DO IF THE WARRANTY IS BREACHED?

If during the Warranty Period, you submit a valid claim to Kedacom or an authorized Kedacom agent, Kedacom will, at its option, (i) repair the Kedacom Product using new or previously used parts that are equivalent to new in performance and reliability, or (ii) exchange the Kedacom Product for a refund of your purchase price.

A Kedacom replacement part or product, including a user-installable Kedacom part that has been installed in accordance with instructions provided by Kedacom, assumes the remaining warranty of the Kedacom Product or ninety (90) days from the date of replacement or repair, whichever provides longer coverage for you. When a product or part is replaced or a refund provided, any replacement item becomes your property and the replaced or refunded item becomes Kedacom's property.

Kedacom reserves the right to refund the purchase price as its exclusive warranty remedy.

HOW TO OBTAIN WARRANTY SERVICE?

To seek warranty service, please contact a local authorized Kedacom agent. When contacting the agent via telephone, other charges may apply depending on your location.

User Information

Complete the form below and keep for ready reference.

User Name:	
Address:	Postal Code:
Tel:	Mobile:
Fax:	E-Mail:
Product Name:	Product Model:
Date of Purchase:	

客户咨询热线：400-828-2866

KEDACOM

苏州科达科技股份有限公司
Suzhou Keda Technology Co.,Ltd.

中国: 江苏省苏州市高新区金山路131号(215011)
Tel: +86-512-6841 8188 Fax: 86-512-68412699

Suzhou Keda Technology Co.,Ltd.

Singapore: 627A Aljunied Road, #09-07, BizTech Centre, Singapore 389842

Tel: +65-6842-5700 Fax: +65-6842-5900

05.03. 801020 (V2.1) 20200911